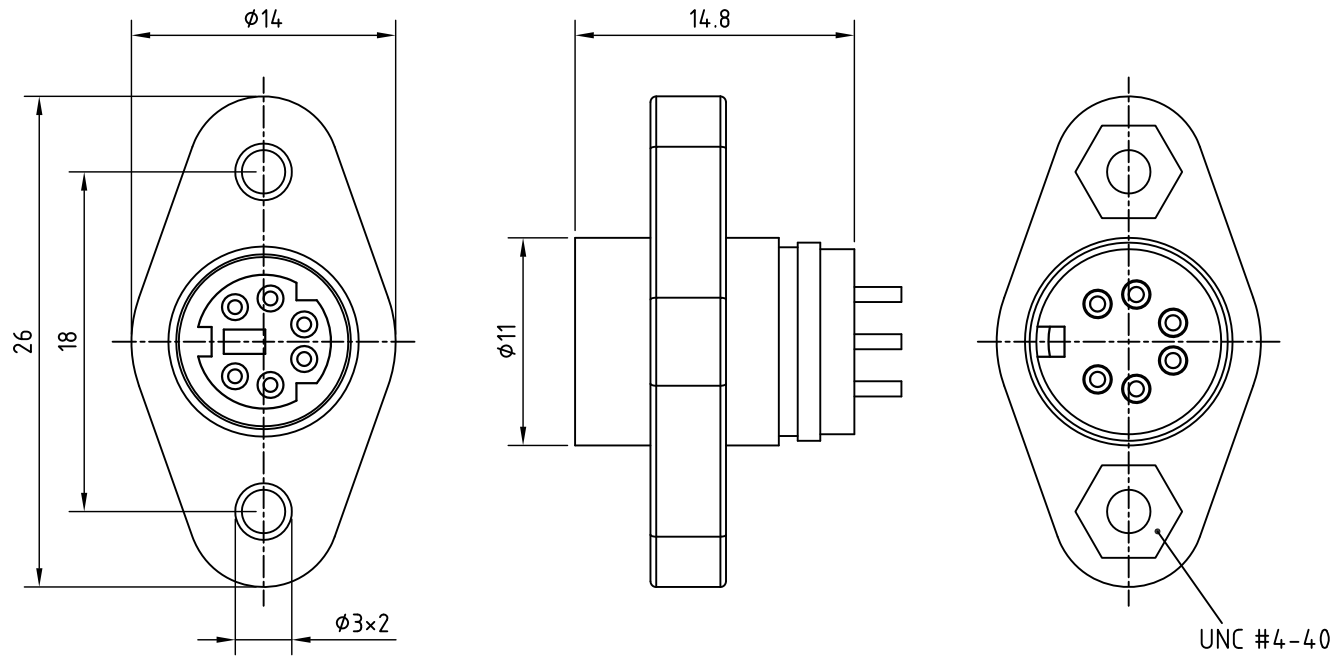


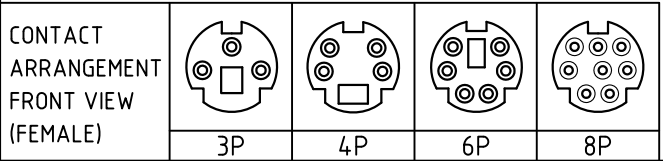
REV.	Description	Date
1	upgrade drawing	2011/10/24
2	spec. revise	2016/6/21



Specification:  
Rated current: 2A  
Rate voltage: 100V

RoHS  
TOLERANCE X±0.5 X.X±0.3

5	Nut	SUS #4-40	
4	Body	PP	
3	Shell	Brass	Nickel plated
2	Pin	Phosphor bronze	Nickel plated
1	Housing	PBT	
Item	Description	Material	Treat & Remark



**Unicable Co., Ltd. 國陽電業有限公司**  
5F., No. 111-33, Sec. 4, San Ho Road, San Chung City, Taiwan, R.O.C.  
<http://www.unicable.com.tw> TEL:+886-2-2286-2122 FAX:+886-2-2286-1010

DATE	2016/10/7	PART NO.	UT-LS911P-XP
DWN	GINA	REV.	2
CHK			
UNIT	MM		

ITEM Miniature Circular Connector Push Lock Type